

INDOOR TARGET ARCHERY

As explained shortly in this press file, indoor target archery is shot indoors with both the Classic and the Compound divisions.

INDIVIDUAL COMPETITION

Qualification Round

The Qualification Round consists of the 18-meter FITA Indoor Round. 60 arrows are shot on a 40 cm diameter vertical triple faces.

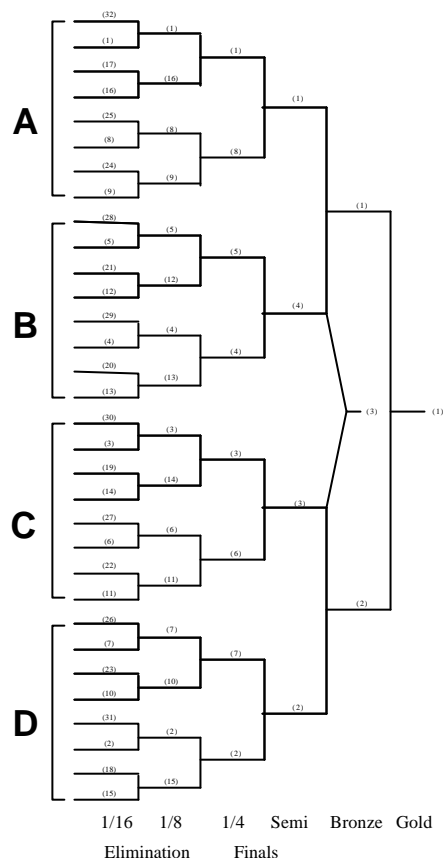
Elimination Round

The top 32 women and top 32 men are seeded according to their position in the Qualification Round (see diagram B). They shoot a series of matches, each match consisting of six (6) ends* of three (3) arrows shot in two (2) minutes at 18 meters.

Finals Round

The top 8 women and top 8 men remaining from the Elimination Round shoot a series of individual matches. Each match consists of four (4) ends of three (3) arrows shot at 18 meters, culminating in the Gold Medal match. The competitors shall alternate shooting one arrow at a time, 40 seconds per arrow.

Diagram B



TEAM COMPETITION

Elimination Round

The top 16 teams of three (3) competitors (top 16 women's teams and top 16 men's teams) are seeded according to their positions as determined by their total scores in the Qualification Round (see diagram B –starting only from 1/8 Elimination Round) shoot simultaneously a series of matches, each match consisting of three (3) ends of nine (9) arrows (3 per archer) shot in three (3) minutes at 18 meters.

Finals Round

The top four (4) teams of women and top four (4) teams of men remaining from the Elimination Round shoot a series of individual matches, each match consisting of three (3) ends of nine (9) arrows (3 per archer) shot in three (3) minutes at 18 meters, culminating in the Team Gold Medal match.

*End – The number of arrows shot before the arrows are officially scored. A group of 3 or 6 arrows shot by an individual archer or a group of 9 arrows (3 per team member) shot by a team.