

BOOK 4

Field Archery

Rules

CHAPTER 9

FIELD ARCHERY ROUNDS

(Details concerning the organization of FITA Field championships will be found in the FITA Field Organizer's Manuals)

9.1 RANGE LAYOUT

9.1.1 The field course will be arranged so that the shooting positions and the targets can be reached without undue difficulty, hazard or waste of time. Field courses should be as condensed as possible.

9.1.1.1 *The walking distance from the central (assembly) area to the furthest target should be no more than one (1) kilometer or 15 minutes normal walking (when taking the groups out or bringing spare equipment).*

9.1.1.2 *The course makers must prepare safe paths for Judges, medical personnel and allow for transportation of equipment round the course(s) while shooting is in progress.*

9.1.1.3 *The course(s) should not be positioned higher than 1800m above sea level and the maximum difference between the highest and the lowest point in a course should not be more than 100m.*

9.1.1.4 *The targets as described in article 4.5.3 will be laid out in such order as to allow maximum variety and best use of the terrain. In the Finals Round two (2) buttresses will be placed side by side at each target to which a 60cm or 80cm target face is affixed. Competitors will shoot in rotation as described in article 9.5.1.3.*

9.1.1.5 *At all targets, one shooting peg or mark for each division will be placed in such a way as to allow at least two competitors to shoot at the same time from either side of the shooting peg.*

9.1.1.6 *All shooting pegs must be marked with the distance when marked distances are to be shot. The shooting pegs will have different colors, corresponding to each division as follows:*

- *Blue for Barebow Division;*
- *Red for Recurve Division and the Compound Division.*

9.1.1.7 *40cm faces will be placed 4 per buttress in the form of a square. 20cm faces will be 12 per buttress in four vertical columns of three (see Book4, Appendix1, drawings). At marked distances 2 60cm faces may be placed per buttress. The centers of both faces will form a horizontal line.*

9.1.1.8 *The tolerance on the distance from shooting peg to target will not exceed $\pm 25\text{cm}$ on distances of 15 meters or less, and will not exceed $\pm 1\text{m}$ on distances between 15-60 meters. However, the*

distances given in tables 4.5.3.8, 4.5.3.9 and 4.5.3.10 may be adjusted by +/- 2 meters. The correct distance will be marked on the shooting peg. The distance should be measured in the air approximately 1.5-2m above the ground. All kinds of measuring equipment can be used as long as it satisfies the tolerances.

- 9.1.1.9 *The buttresses will provide for a margin of at least 5cm outside the lowest scoring zone(s) of the face(s) placed upon it. At no point may any target face be less than 15cm from the ground. In all instances, regardless of the terrain, the buttress should be placed reasonably perpendicular to the competitor's line of sight from the shooting peg in order to present the target face's full picture. (Appendix 1 Book 4, drawings)*
- 9.1.1.10 *All targets will be numbered in succession. The numbers will be no less than 20cm tall and will be black on yellow or yellow on black and will be placed 5-10m before reaching the shooting pegs for that target.*
- 9.1.1.11 *The target numbers will also function as the waiting area for the competitors of the group(s) waiting for their turn to shoot. From the waiting area it should be possible to see if anybody is standing at the peg.*
- 9.1.1.12 *Faces will not be placed over any larger face, nor will there be any marks on the buttress or foreground that could be used as points of aim.*
- 9.1.1.13 *Clearly visible direction signs indicating the route from target to target must be placed at adequate intervals to ensure safe and easy movement along the course.*
- 9.1.1.14 *Suitable barriers will be placed around the course, wherever necessary, to keep spectators at a safe distance while still giving them the best possible view of the competition. Only those persons having the proper accreditation will be allowed on the course inside of the barriers.*
- 9.1.1.15 *The assembly area should contain:*
- *A communication device (system) allowing contact with the Chairman of the Judge Commission and the Organizers' headquarters;*
 - *Adequate shelter for Team Officials;*
 - *Separate shelter for the Jury of Appeal and the Chairman of the Judge Commission;*
 - *Guarded shelter for the Competitors gear and spare equipment;*
 - *On the days of the tournament some practice targets and/or warm-up targets must be set up near the Assembly Point(s) for the competitors;*
 - *Refreshment facilities;*
 - *Toilets.*

9.1.1.16 *The Official Field course(s) must be completed and ready for inspection no later than sixteen hours before the shooting starts. At FITA Championships they must be ready no later than the morning of two days before the shooting starts, except for modified courses.*

9.2 VENUE EQUIPMENT

9.2.1 For the unmarked and marked courses; the FITA Field Face will be used. Only those FITA Field faces produced by a manufacturer licensed by FITA will be used at FITA competitions. There are FITA Field faces with four diameters:

- The 80cm face;
- The 60cm face;
- The 40cm face;
- The 20cm face.

9.2.1.1 *Description*

The FITA Field Face consists of a yellow center spot and four equal scoring zones.

The background of the face will be white. The five ring scoring zone (spot) for all divisions is yellow. The inner 5 ring (scored X) is of the same yellow. The two (2) zones will be divided by a black line of maximum 1mm in width. The rest of the face will be black. The four scoring zones will be divided by white lines of maximum 1mm in width. Any dividing lines will be in the higher scoring zones. In the center of the spot there will be a fine lined X.

Drawing of the FITA Field Face see Book4, Appendix1.

9.2.1.2 *Of the FITA Field Faces, there are four sizes:*

<i>Color of Zones</i>	<i>Scoring Zones</i>	<i>Diameter of faces and of scoring Zones in cm</i>				<i>Tolerances in mm +/-</i>
		<i>20</i>	<i>40</i>	<i>60</i>	<i>80</i>	
<i>yellow</i>	<i>5 (inner)</i>	<i>2</i>	<i>4</i>	<i>6</i>	<i>8</i>	<i>1</i>
<i>yellow</i>	<i>5</i>	<i>4</i>	<i>8</i>	<i>12</i>	<i>16</i>	<i>1</i>
<i>black</i>	<i>4</i>	<i>8</i>	<i>16</i>	<i>24</i>	<i>32</i>	<i>1</i>
<i>black</i>	<i>3</i>	<i>12</i>	<i>24</i>	<i>36</i>	<i>48</i>	<i>3</i>
<i>black</i>	<i>2</i>	<i>16</i>	<i>32</i>	<i>48</i>	<i>64</i>	<i>3</i>
<i>black</i>	<i>1</i>	<i>20</i>	<i>40</i>	<i>60</i>	<i>80</i>	<i>3</i>

9.3 COMPETITORS' EQUIPMENT

This article lays down the type of equipment competitors are permitted to use when shooting in FITA competitions. It is the competitor's responsibility to use equipment which is in accordance with the rules. If in doubt the competitor will show this equipment to the Judge(s) before using it in competition.

Any competitor found to be using equipment contravening FITA Rules may have his scores disqualified.

Described below are the general regulations that apply to all divisions followed by the special regulations that only apply to certain divisions.

9.3.1 Bows:

9.3.1.1 For Recurve and Barebow divisions

A bow of any type provided it subscribes to the accepted principle and meaning of the word Bow as used in Target Archery, e.g., an instrument consisting of a handle (grip), riser (no shoot-through types are permitted) and two flexible limbs each ending in a tip with a string nock. The bow is braced for use by a single string attached directly between the two string nocks, and in operation is held in one hand by its handle (grip) while the fingers of the other hand draw, hold back and release the string.

9.3.1.1.1 *Multi-coloured bow risers, and trademarks located on the inside of the upper limb are permitted.*

9.3.1.1.2 Recurve: Risers including a brace are permitted provided the brace does not touch the competitor's hand or wrist.

9.3.1.2 Barebow divisions only:

The bow as described above must be bare, except for the arrow rest, and free from protrusions, sightmarks, marks or blemishes or laminated pieces (within the bow window area) which could be of use in aiming. The un-braced bow complete with permitted accessories must be capable of passing through a hole or ring of 12.2cm inside diameter +/-0.5mm.

9.3.1.3 Compound Divisions:

A Compound Bow, (may be of a shoot-through type) is where the draw is mechanically varied by a system of pulleys and/or cams. The bow is braced for use by bow-string(s) attached directly between the two string nocks of the bow limbs, or attached to the bow cables, as may be applicable to the particular design.

9.3.1.3.1 *The peak draw weight must not exceed 60 lbs.*

9.3.1.3.2 *Cable guards are permitted.*

9.3.1.4 Long bow divisions:

The bow will correspond to the traditional form of a long bow which means that when strung the string may not touch any other part of the bow but the string nocks. The bow may be made from any type of material or combination of material. The shape of the grip and the limbs are not restricted. Center shot is allowed.

9.3.1.4.1 *For juniors and women the bow will not be less than 150cm in length, for men the bow will be not less than 160cm in length – this length being measured between the string nocks.*

9.3.1.5 For the Bowhunter divisions:

The bow can be any type of bow as described in article 9.3.

9.3.1.5.1 *The maximum bow weight is 80lbs for men and 60lbs for women and juniors.*

9.3.2 Bow String:

A bow string of any number of strands.

9.3.2.1 *All divisions:*

The string strands may be of different colors and of the material chosen for the purpose. The string may have a center serving to accommodate the drawing fingers, a nocking point to which may be added serving(s) to fit the arrow nock as necessary, and to locate this point, one or two nock locators may be positioned, and at each end of the bowstring a loop to be placed in the string nocks of the bow when braced.

9.3.2.2 *Recurve division:*

The serving on the string must not end within the competitor's vision at full draw. The bow string must in no way offer aid in aiming through a peephole, marking, or any other means. One attachment on the string to serve as a lip or nose mark is permitted.

9.3.2.3 *Barebow and Longbow divisions :*

The serving on the string must not end within the competitor's vision at full draw. The bow string must in no way offer aid in aiming through a peephole, marking, or any other means. No lip or nose mark is permitted

9.3.2.4 *Compound and bow hunter divisions:*

Attachments on the string are permitted to serve as a lip or nose mark, a peep-hole, a peep-hole 'hold-in-line' device, loop bow-string, etc. There are no limitations to the center serving for this division.

9.3.3 Arrow rest:

9.3.3.1 *Recurve and Barebow divisions:*

An arrow rest, which can be adjustable, any moveable Pressure Button, Pressure Point or Arrow plate may all be used on the bow provided they are not electric or electronic and do not offer any additional aid in aiming.

- *Recurve division : The pressure point will be placed no further than 4cm back (inside) from the throat of the handle (pivot point) of the bow.*

BOOK 4

FITA CONSTITUTION AND RULES

- Barebow division: There will be no overdraw.

9.3.3.2 Longbow division:

If the bow has an arrow shelf that shelf may be used as an arrow rest. It may be covered with any type of soft material. No other types of arrow rests are allowed.

9.3.3.3 Compound bow division:

The pressure point may be no further back than 6cm from the throat of the handle (see above)

9.3.3.4 Bow hunters:

There is no limitation as to the arrow rest or the placement.

9.3.4 Draw check device:

9.3.4.1 Recurve, compound and bow hunters divisions:

A draw check device, audible and/or visual, other than electric or electronic, may be used.

9.3.4.2 Barebow and longbow divisions:

No draw check device is permitted.

9.3.5 Bowsight:

9.3.5.1 Recurve division: a bowsight for aiming is permitted, but at no time may more than one such device be mounted on the bow.

9.3.5.1.1 *It will not incorporate a prism or lens or any other magnifying device, leveling or electric or electronic devices nor will it provide for more than **one** sighting point.*

9.3.5.1.2 *The overall length of sight (tunnel, tube, sighting pin or other similar extended component) will not exceed 2cm.*

9.3.5.1.3 *A bowsight attached to the bow for the purpose of aiming which may allow for windage adjustment as well as elevation setting is subject to the following provisions:*

- *A bowsight extension is permitted.*
- *A plate or tape with distance markings may be mounted on the bow as a guide for sighting, but must not in any way offer any additional aid.*
- *The sight point may be a fiber optic sight pin. The total length of the fiber optic pin may exceed 2cm, provided that the attachment or ending is not in the competitors line of vision at full draw. It can only provide one illuminated aiming spot at full draw.*
- *On unmarked field courses no part of the sight may be modified for the purpose of having means for range finding.*

9.3.5.2 Barebow and longbow divisions:

No sight, mark(s) or aiming help is permitted.

9.3.5.3 Compound division:

Any type of sight may be used

9.3.5.3.1 *provided it is:*

- *Not electric or electronic and*
- *Does not include any additional means for range finding when used on the unmarked field rounds.*

9.3.5.3.1 *Multiple sight pins are not acceptable.*

9.3.5.4 Bow hunters division:

Any type of sight may be used including multiple pins.

9.3.6 Stabilizers and Torqueflight Compensators (TFC):

9.3.6.1 Recurve, compound and bow hunters divisions:

Stabilizers and torque flight compensators on the bow are permitted

9.3.6.1.1 *provided they do not:*

- *Serve as a string guide;*
- *Touch anything but the bow;*
- *Represent any obstacle to other competitors as far as space at the shooting peg is concerned.*

9.3.6.2 Barebow division:

No stabilizers are permitted.

9.3.6.2.1 *Torque flight compensators fitted as part of the bow are permitted provided that they do not also have stabilizers.*

9.3.6.2.2 *Weight(s) may be added to the lower part of the riser. All weights, regardless of shape, must mount directly to the riser without rods, extensions, angular mounting connections or shock-absorbing devices.*

9.3.6.2.3 *The unstrung bow complete with permitted accessories must be able to pass through a hole or ring of 12.2cm inside diameter \pm 0.5mm*

9.3.6.3 Longbow division:

No weights, stabilizers or torqueflight compensators are allowed.

9.3.7 Arrows:

9.3.7.1 Recurve, barebow and compound divisions:

Arrows of any type may be used provided they subscribe to the accepted principle and meaning of the word arrow as used in target archery, and that such arrows do not cause undue damage to target faces or buttresses.

9.3.7.1.1 *The maximum diameter of an arrow shaft will not exceed 9.3mm, the point for these arrows may have a maximum diameter of 9.4mm. An arrow consists of a shaft with head (point), nock, fletching and, if desired, cresting. The arrows of each competitor will be marked on the shaft with the competitor's name or ini-*

BOOK 4

FITA CONSTITUTION AND RULES

tials, and all arrows used at any one end will carry the same pattern and colour(s) of fletching, nocks and cresting.

9.3.7.2 Longbow division:

Only wooden shafts are allowed.

9.3.7.2.1 The following restrictions apply:

- *The points will be the field type meant for wooden arrows.*
- *Only natural feathers will be used as fletchings.*

9.3.7.3 Bow hunters division:

Any type of arrow may be used,

9.3.7.3.1 provided they use:

- *standard type of screw-in field points*
 - *of a minimum weight of 125 US grains for men;*
 - *minimum weight of 100 US grains for women and juniors.*

9.3.8. Finger and Hand Protection:

9.3.8.1 All divisions:

Finger protection in the form of finger stalls or tips, gloves, or shooting tab or tape (plaster) to draw, hold back and release the string is permitted.

9.3.8.1.1 The following equipment is permitted:

- *A separator between the fingers to prevent pinching the arrow;*
- *On the bow hand an ordinary glove, mitten or similar item may be worn but must not be attached to the grip.*

9.3.8.2 Recurve and Barebow divisions:

9.3.8.2.1 The following equipment is permitted:

- *An anchor plate or similar device attached to the finger protection (tab) for the purpose of anchoring.*

9.3.8.3 Compound and Bow hunters divisions:

9.3.8.3.1 The following equipment is permitted:

- *A mechanical release aid, provided it is not electronic or electric.*

9.3.8.4 Recurve, Barebow and Longbow divisions:

9.3.8.4.1 The following restrictions apply:

- *Finger protection must not incorporate any device to hold, draw and release the string.*

9.3.8.5 Barebow division:

Finger protection may not have marks, indications, scales or other such means to identify placement of the drawing hand fingers on the bowstring.

9.3.8.5.1 Symmetrical stitching or screws etc are allowed provided they are used by the manufacturer for the purpose of holding separate layers of the tab together;

9.3.8.5.2 Stitching evident for the purpose of aiming or distance refinement must be covered.

9.3.8.5.3 Marks that come from natural wear are acceptable.

9.3.8.6 Longbow division:

9.3.8.5.1 *The following restrictions apply:*

- *An anchor plate or similar device attached to the finger protection (tab) for the purpose of anchoring is not permitted.*

9.3.9 Scopes, spectacles, field glasses / binoculars:

9.3.9.1 All divisions:

Field glasses, telescopes and other optical aids may be used for spotting arrows

9.3.9.1.1 *provided they do not represent any obstacle to other competitors as far as their space at the shooting peg is concerned.*

9.3.9.1.2 *Prescription spectacles, shooting spectacles and sunglasses may be used.*

9.3.9.1.3 *None may be fitted with micro hole in lenses, or similar devices, nor marked in any way which can assist in aiming.*

9.3.9.1.4 *The glass of the non-sighting eye may be fully covered or taped, or an eye patch may be used.*

On the unmarked Field, Forest and 3D rounds none of the above is permitted to have any kind of range finding device or equipment (e.g. scales) incorporated or attached.

9.3.10 Accessories:

9.3.10.1 All divisions:

9.3.10.1.1 *The following accessories are permitted, such as:*

- *Bracers (arm guards), dress shield, bow sling, belt or ground quiver, tassel, and foot markers not protruding more than 1cm from the ground, limb savers, lightweight string material on the bow or stabilizer as a wind indicator.*

9.3.10.2 Compound Division:

All types of additional devices are permitted, unless they are prohibited under article 9.3 and are not electric or electronic.

9.3.11 For competitors of all divisions none of the following equipment is permitted:

9.3.11.1 Any **electronic communication device**, or headsets in front of the waiting line on the practice field, and at any time on the field course.

9.3.11.2 On unmarked Field, Forest and 3D courses any type of **range finders** or any other means of estimating distances or angles not covered by the current rules regarding competitors' equipment.

BOOK 4

FITA CONSTITUTION AND RULES

- 9.3.11.3 Any part of a competitor's equipment that has been added or modified to serve the purpose of estimating distances or angles, nor may any regular piece of equipment be used explicitly for that purpose.
- 9.3.11.4 Any written memoranda or electronic storage device that may be used for calculating angles, and distances apart from notes of the competitor's normal sight marks, the recording of the present personal scores or any part of the FITA Rules.

9.4 SHOOTING

- 9.4.1 Each competitor will stand or kneel at the shooting peg without compromising safety.
- 9.4.1.1 *The competitor can stand or kneel up to approximately one (1) meter in any direction beside or behind the shooting peg, taking into consideration the condition of the terrain. In exceptional circumstances a Jjudge may give permission to shoot from outside the defined area.*
- 9.4.1.2 *Every shooting position will have a shooting peg or mark to accommodate at least two competitors.*
- 9.4.1.3 *The Organizers will assign the target at which each group will start shooting.*
- 9.4.2 Competitors within a group waiting for their turn to shoot will wait well back behind the competitors in shooting position,
- 9.4.2.1 *Unless they assist the competitors at the shooting peg with shading.*
- 9.4.3 No competitor may approach the target until all competitors of the group have finished shooting, unless given permission by a Judge.
- 9.4.4 Under no circumstances may an arrow be re-shot.
- An arrow may be considered to have not been shot if:*
- 9.4.4.1 *The competitor can touch it with his bow without moving his feet from their position in relation to the shooting line, and provided the arrow has not rebounded;*
- 9.4.4.2 *The target face or buttress falls over (in spite of having been fixed to the satisfaction of the Judges). The Judges will take whatever measures they deem necessary, and compensate adequate time for shooting the relevant number of arrows. If the buttress only slides down it will be left to the Judges to decide what action to take, if any.*
- 9.4.5 No competitor may relate the target distances to anybody on unmarked courses during the tournament.

9.5 ORDER OF SHOOTING AND TIMING CONTROL

9.5.1 Competitors will shoot in groups of no more than four, but never less than three. Groups should be of even numbers as far as possible.

9.5.1.1 *Should the number of competitors exceed the normal capacity of the course, additional groups will be formed and placed in the field as is convenient.*

9.5.1.2 *Competitors will wear **registration numbers** fully visible, and be allocated targets and shooting positions according to their order of draw and subsequent placement from the top to the bottom on the start list.*

9.5.1.3 *Each group will shoot in pairs, **rotating** as follows:*

- *In a group of four the two competitors with the lowest registration numbers will shoot together as the first pair and the other two competitors assigned to that target will form the second pair.*
- *The competitor with the lower registration number of each pair will shoot from the left side of the shooting peg, the other competitor from the right side of the shooting peg.*
- *The first pair (with lowest registration number(s)) will start the shooting on the first target assigned to the group.*
- *The other pair will start shooting at the next target. The pairs will rotate shooting at all subsequent targets throughout the competition.*
- *If all competitors of the group agree they may change the above arrangement, pairing and/or shooting position before the beginning of the competition. That arrangement will remain unchanged throughout that Round.*
- *If there are three competitors in a group the first two competitors on the start list (lowest registration numbers) will form the first pair, the third competitor will be considered to be the second pair concerning rotation. He will always shoot from the left side of the shooting peg.*

Following bullet 5 of this article this arrangement may be changed by mutual agreement before the beginning of the shooting. That change will be final throughout that Round.

- *Should there be sufficient room at a shooting peg, all competitors in the group may shoot at the same time.*

9.5.1.4 *Shooting at the **blocks of 40cm faces**: The four faces will be placed in the form of a square. Of the pair of competitors whose turn is to shoot first, the competitor on the left will shoot at the top left hand face, while the competitor on the right will shoot at the top right hand face. Of the pair of competitors whose turn is to shoot second, the competitor on the left will shoot at the lower left hand face, while the competitor on the right will shoot at the lower right hand face.*

- 9.5.1.5 Shooting at the **blocks of 20cm faces**: Of the pair of competitors whose turn it is to shoot first, the competitor on the left will shoot at the faces in column 1, while the competitor on the right will shoot at the faces in column 3. Of the pair of competitors whose turn it is to shoot second, the competitor on the left will shoot at the faces in column 2, while the competitor on the right will shoot at the faces in column 4. Each competitor will shoot his arrows in any order, one at each face.
- 9.5.1.6 Groups will be assigned to **start** simultaneously from various targets and will complete the round at the target before the one at which they started. In the Finals Round all groups start in succession from the same target. Additional groups assigned to a target will wait until the primary group on that target has shot and scored their arrows before proceeding.
- 9.5.1.7 In case of **equipment failure** the order of shooting may be changed temporarily. In any event no more than thirty (30) minutes will be allowed to repair any equipment failure. The other competitors in that group will shoot and score their arrows before allowing any following groups to shoot through. If the repair is completed within the time limit, the competitor in question may make up any arrows remaining to be shot on that target. If the repair is completed later, the competitor may rejoin his group but will lose the arrows his group has shot in the meantime.
- 9.5.1.8 In the event of a competitor being unable to continue shooting because of an unexpected **medical problem** occurring after the beginning of the shooting no more than 30 minutes will be allowed for medical personnel to determine the problem and decide on whether or not the competitor is fit to continue competing unassisted.. The procedure is the same as for an equipment failure.
- 9.5.1.9 In Finals Rounds no extra time will be allowed for equipment failure or the treatment of unexpected medical problems. In the Team Event other members of the team may shoot in the meantime.
- 9.5.1.10 A broken bow may be replaced by a spare bow or a borrowed bow.
- 9.5.1.11 Competitors in a group may allow other groups to **shoot through**, provided the Organizers and/or the Judges are notified about the change.
- 9.5.1.12 When a competitor or a group of competitors are causing undue delay for that group or for other groups during the Qualification and Elimination Rounds of a competition, the Judge observing this will warn the competitor or group verbally after which he and/or a fellow Judge may time the competitor, or group throughout the remainder of that round of the competition.
- In that case a **time limit** of four (4) minutes per target will be allowed from the time the competitor takes his position at the

shooting peg, which he must do as soon as possible after the shooting position becomes available.

- *A Judge, having observed a competitor exceed the time limit despite the above procedure, will caution him by a signed note on the scorecard, indicating the time and date of the warning.*
- *At the second and all subsequent warnings during that stage of the competition, the competitor's highest scoring arrow at the target will be forfeited.*
- *The time limit may be extended in exceptional circumstances.*

9.5.1.13 ***Time warnings** will not be carried over from one stage of the competition to the next.*

9.5.1.14 *In the FITA Field **Finals Round**, whenever a Judge accompanies a group he will start and stop the shooting verbally (**go** for the start and **stop** when the 4 minutes have passed).*

- *The Judge will show a yellow card as a warning when 30 seconds of the 4 minutes remain. No shooting will be allowed after the 4 minutes have passed and the Judge has stopped the shooting.*
- *If a competitor shoots an arrow after the Judge has stopped the shooting, the competitor's or team's highest scoring arrow on that target will be forfeited.*
- *However, if that arrow can be clearly identified by a Judge (accompanying the group and assigned to spot the arrows) this will cause the competitor to lose the value of that arrow.*

9.5.1.15 *In the team matches the Judge will start the stopwatch when the first competitor of the team leaves the waiting position (at the target number).*

9.5.1.16 *If, for some reason, the shooting in team matches is stopped, then the Judge will stop the watch for the team and restart it with the remaining time as soon as shooting can be resumed.*

9.6 SCORING

9.6.1 Scoring will take place after all competitors in the group have shot their arrows.

9.6.1.1 *Unless otherwise agreed in the group, the group member with the lowest registration number will be the group leader and will be responsible for the conduct of the group. The two competitors with the second and third lowest registration numbers will be the **scorers** and the fourth competitor will **mark the arrow holes**.*

In a group of three the group leader will also mark the arrow holes.

The group of competitors will not leave the target before all holes in the scoring zone are marked.

- 9.6.1.2 *Scorers will enter on the scorecard alongside the correct number of the target, and in descending order, the **value of each arrow** as called by the competitor to whom the arrows belong. Other competitors in the group will check the value of each arrow called. A mistake on the scorecard discovered before the arrows are drawn may be corrected. (see article 9.10.1)*
- 9.6.1.3 *Scorers are to compare the scores before the arrows are drawn.*
- 9.6.1.4 *In the Finals Round of FITA Championships a Judge will accompany each group to control the scoring.*
- 9.6.1.5 *In the Finals Round a scorer for each group will carry a portable scoreboard displaying the updated scores of the competitors in that group.*
- 9.6.2 An arrow will be scored according to the position of the shaft on the target face. Should the shaft of an arrow touch two zones or a dividing line between scoring zones, that arrow will score the higher value of the zones affected.
- 9.6.2.1 *Neither the **arrows nor the target face will be touched** until all arrows on that target have been recorded and scores checked.*
- 9.6.2.2 *If two or more arrows are shot in the same 20cm target face, they will be considered as part of that end but only the arrow with the lowest value will score. The other arrow, or arrows, in the same face will score as a miss, or as misses.*
- 9.6.2.3 *If **more than three arrows** belonging to the same competitor should be found in the target or on the ground of the shooting lanes, only the three lowest in value will be scored. Should a competitor (or team) be found to repeat this he (they) may be disqualified.*
- 9.6.2.4 *Should a fragment of a target face be missing, including a dividing line or where two colors meet, or if the dividing line is displaced by an arrow, then an imaginary circular line will be used for judging the value of any arrow that may hit such a part.*
- 9.6.2.5 *Arrows embedded in the buttress and not showing on the face can only be scored by a Judge.*
- 9.6.2.6 *In case of a **rebound or pass-through** the scoring will take place as follows:*
- *If all of the competitors in that shooting group agree that a rebound or pass-through has occurred, they may also agree on the value of that arrow;*
 - *If they cannot agree on the value of the arrow, the competitor will be awarded the value of the lowest unmarked arrow hole in the scoring zone.*
- 9.6.2.7 ***An arrow hitting:***
- 9.6.2.7.1 ***Another arrow** in the nock and remaining embedded therein will score according to the value of the arrow struck;*
- 9.6.2.7.2 *Another arrow, and then hitting the target face after deflection, will score as it lies in the target;*

9.6.2.7.3 *Another arrow, and then rebounding will score the value of the arrow struck, provided the damaged arrow can be identified;*

9.6.2.7.4 *A target face other than the competitor's own target face will be considered as part of that end and will score as a miss*

9.6.2.7.5 *Outside the outermost scoring zone of the target face will score as a miss.*

9.6.3 In the event of a **tie in score**, the ranking of the results will be determined in the following order:

9.6.3.1 For ties occurring in all Rounds, except for those ties as set out below in 9.6.3.2:

- Individuals and Teams:
 - Greatest number of scoring hits;
 - Greatest number of 5's;
 - Greatest number of X's (inner 5's);
 - After this competitors still tying will be declared equal; but for ranking purposes, i.e. for a position in the match play charts of the Finals Rounds, a disk toss will declare the position of those declared equal.

9.6.3.2 For ties regarding the entrance to the Elimination Rounds, the progress from one stage of the competition to the next or for deciding the Medal placements after a Finals Round there will be shoot-offs to break the ties (without considering the number of hits, 5's and X's):

9.6.3.2.1 *Individuals:*

- *A single arrow shoot-off for score (maximum of three shoot-offs);*
- *If there is still a tie in the third shoot-off, the arrow closest to the center will resolve the tie; or*
- *Successive single arrow closest-to-the-center shoot-offs, until the tie is resolved.*
- *the time limit for a shoot-off will be 1/3 of the applicable time limit.*

9.6.3.2.2 *Teams:*

- *An End of three (3) arrows (one by each competitor) shoot-off for score (maximum of three shoot-offs);*
- *If the score is still tied in the third shoot-off, the team with the closest-to-the-center arrow will win;*
- *If still tied the second (or third) closest-to-the-center arrow will determine the winner;*
- *If necessary there will be successive three (3) arrow (one arrow by each competitor) shoot-offs for score if necessary followed by closest-to-the-center evaluation until the tie is resolved;*
- *the time limit for a Team shoot-off will be 4 minutes.*

9.6.3.2.3 *Shoot-offs will take place on a target at the maximum distance for the division in which there is a tie. The targets will be located*

close to the central point area. The Organizers may have a separate target for this purpose.

9.6.3.2.4 *Shoot-offs will be shot as soon as it is practical after all scorecards for the division within which the tie has occurred, have been recorded. Any competitor who cannot be present for the shoot-off within 30 minutes after he or his team captain has been notified, will be declared the loser. If the competitor and his Team Captain have left the field, in spite of the results not being officially verified, and thus cannot be notified of the shoot-off, the competitor will be declared the loser.*

9.6.3.2.5 *In the event of a tie in the Semi Finals, a shoot-off will take place on the last target shot. In the event of a tie in the Medal Finals, a shoot-off will take place on a target at the maximum distance for the division in which there is a tie. The targets will be located close to the central staging area. The Organizers may have a separate target for this purpose.*

9.6.4 Scorecards will be signed by the scorer and the competitor, denoting that the competitor agrees with the value of each arrow. The scorer's scorecard will be signed by some other competitor of the same group. Should a discrepancy be found in the sum total, the sum total of the lowest arrow scores will become final.

9.6.5 At the end of the Tournament the Organizing Committee must supply complete result lists to all participants: Competitors, Team Captains, Judges and Council Members who are present.

9.7 SHOOTING CONTROL AND SAFETY

9.7.1 The Chairman of the Tournament Judges Commission will be in control of the Field Shoot.

9.7.2 The Chairman of the Tournament Judges Commission will satisfy himself that safety precautions have been observed in the layout of the courses and arrange with the Organizers for any additional safety precautions he may find advisable before shooting commences.

9.7.2.1 *He addresses the competitors and officials on the safety precautions and any other matter concerning the shooting that he may judge to be necessary.*

9.7.2.2 *Should it become necessary to abandon a Field Archery competition because of bad weather, loss of daylight or for reasons that would otherwise compromise the safety conditions of the courses, such a decision will be made by the collective decision of the head of the Organizing Committee, the Chairman of the Judges Commission and the Technical Delegate.*

9.7.2.3 *Should the competition have to be abandoned prior to the completion of the Qualification Round(s) the total score of the same*

targets shot by all competitors in a division will be used to determine the champions in that division.

9.7.2.4 *Should the competition have to be abandoned at a later stage, the last full Round shot will determine the winner(s).*

9.7.2.5 *In case of blinding sunshine, protective shade of a maximum size of A4 (or legal letter size, about 30 by 20 cm) may be provided by the other members of the group or will be provided by the organizer.*

9.7.3 No competitor may **touch the equipment** of another without the latter's consent.

9.7.4 **No smoking** is allowed on the Field course.

9.7.5 When **drawing** back the string of his bow a competitor must not use any **technique** which, in the opinion of the Judges, could allow the arrow, if accidentally released, to fly beyond a safety zone or safety arrangements (overshoot area, net, wall etc.). If a competitor persists in using such a technique, he will, in the interest of safety, be asked by the Chairman of the Tournament Judges Commission to stop shooting immediately and to leave the field.

9.8 PENALTIES

9.8.1 Eligibility, disqualification,

9.8.1.1 Competitors are not eligible to compete in FITA events if they do not meet the requirements as laid down in Chapter 2 of the FITA Constitution and Rules.

9.8.1.2 A competitor found guilty of breaking any of those rules may be eliminated from the competition and will lose any position he may have gained.

9.8.1.3 A competitor is not eligible to compete in FITA Championships if his Member Association does not meet the requirements as laid down in article 3.7.2.

9.8.1.4 A competitor found competing in a class laid down in Chapter 4.2 the requirements of which he does not fulfill, will be eliminated from the competition and lose any position he may have gained.

9.8.1.5 A competitor found guilty of Doping according to the rules laid down in Book1, Appendix5 of the FITA Constitution and Rules will be subject to the following sanctions (see also 9.10; 9.11):

- Regardless of a sanction being imposed by the Member Association concerned, FITA will annul the results achieved in the competition, and any prizes or medals awarded should be returned to the FITA office due to the unfair advantage gained over the other competitors.
- If the competitor has shot in a team event the result of the team will be annulled.
- In addition to this the sanctions of article 9 and 10 of Appendix 5 apply.
- A competitor suspended for a doping offence may not participate in any FITA event organized by FITA or a member of FITA up to the end of his suspension.

BOOK 4

FITA CONSTITUTION AND RULES

- 9.8.1.6 Any competitor found to be using equipment contravening FITA Rules may have his scores disqualified (9.3).
- 9.8.1.7 Competitors or teams repeatedly found shooting more arrows per end than allowed may have their scores disqualified (9.6.2.3).
- 9.8.1.8 A competitor proved to have broken any rules and regulations knowingly, may be ruled to be not eligible to participate in, and be eliminated from, the competition and will lose any position he may have gained (9.9.1.13).
- 9.8.1.9 When drawing back the string of his bow a competitor must not use any technique which, in the opinion of the Judges, could allow the arrow, if accidentally released, fly beyond a safety zone or safety arrangements (overshoot area, net, wall etc.). If a competitor persists in using such a technique, he will, in the interest of safety, be asked by the Chairman of the Judges Commission to stop shooting immediately and to leave the field. (9.7.5)

9.8.2 Losing the score of arrows

- 9.8.2.1 *In the case of an equipment failure a competitor who is unable to repair his equipment within 30 minutes will lose the number of arrows still to be shot on that target and those arrows shot by his group after that time until he rejoins his group. (9.5.1.7; see 9.5.1.8 in case of an unexpected medical problem)*
- 9.8.2.2 *A Judge, timing a competitor and observing him exceed the 4 minute time limit, will caution him by a signed note on the score-card, indicating the time of the warning. At the second and all subsequent warnings during that stage of the competition, the competitor's highest scoring arrow at the target will be forfeited. (9.5.1.12)*
- 9.8.2.3 *In the FITA Field Finals Round if a competitor shoots an arrow after the Judge has stopped the shooting the competitor's or team's highest scoring arrow on that target will be forfeited. However, if that arrow can be clearly identified by a Judge (accompanying the group and assigned to spot the arrows) this will cause the competitor to lose the value of that arrow. (9.5.1.14).*
- 9.8.2.4 *If more than three arrows belonging to the same competitor should be found in the target or on the ground in the shooting lane, only the three lowest arrows will be scored. (9.6.2.3)*
- 9.8.2.5 *If two or more arrows are shot into one 20cm target face all arrows shot will count as part of that end but only the lowest arrow will score. (9.6.2.2)*
- 9.8.2.6 *An arrow not hitting a scoring zone or hitting a target face other than the competitor's own target face will be considered as part of that end and will score as a miss (9.6.2.7.4/5).*

9.8.3 Warnings

Competitors who have been warned more than once and who continue breaking the following FITA rules or who do not follow decisions and direc-

tives (which can be appealed) of the assigned Judges will be treated according to 9.8.1.8 (9.9.1.13).

9.8.3.1 No smoking is allowed on the Field course.

9.8.3.2 No competitor may touch the equipment of another without the latter's consent. (9.7.3)

9.8.3.3 Those competitors belonging to a following group waiting for their turn to shoot, will remain in the waiting area until the competitors shooting have moved on and the shooting position is clear. (9.1.1.11)

9.8.3.4 While shooting is in progress, only those competitors whose turn it is to shoot may approach the shooting position. (9.4.2)

9.8.3.5 No competitor may approach the target until all competitors of the group have finished shooting. (9.4.3)

9.8.3.6 Neither the arrows nor the target face may be touched until all the arrows on that target have been recorded (9.6.2.1)

9.8.3.7 When drawing back the string of his bow a competitor must not use any technique which, in the opinion of the Judges, could allow the arrow, if accidentally released, fly beyond a safety zone or safety arrangements (overshoot area, net, wall etc.). (9.7.5)

9.9 JUDGING

9.9.1 The Judges' duties are to ensure that the tournament is shot according to the FITA Constitution & Rules, and fairness to all competitors.

9.9.1.1 At least one Judge for every four targets in Field Archery will be appointed. Their duties will be to:

9.9.1.2 Check all distances and the correct layout of the courses; the dimensions of target faces and buttresses; that the faces are set at the correct height from the ground; that all buttresses are set at a suitable angle for the shot in Field Archery.

9.9.1.3 Check all the necessary venue equipment;

9.9.1.4 Check all competitors' equipment before the Tournament (time to be stated on the tournament program) and at any time thereafter during the Tournament;

9.9.1.5 Control the conduct of the shooting;

9.9.1.6 Control the conduct of the scoring;

9.9.1.7 Verify the scoring in the Elimination and Finals Rounds;

9.9.1.8 Consult with the Chairman of the Judges Commission on questions which arise regarding the shooting;

9.9.1.9 Handle any disputes and appeals which may arise and, where appropriate, pass them on to the Jury of Appeal;

9.9.1.10 In liaison with the Chairman of the Judges Tournament Commission and the Chairman of the Organizing Committee, interrupt

the shooting if necessary, because of weather conditions, a serious accident, or such occurrences, but to ensure if at all possible, that each day's program is completed on that day;

9.9.1.11 *Consider relevant complaints or requests from Team Captains and where applicable to take suitable action. Collective decisions will be made by a simple majority of votes. In case of a tie, the Chairman will have a tie breaking vote;*

9.9.1.12 *Deal with questions concerning the conduct of the shooting or the conduct of a competitor. These questions must be lodged with the Judges without any undue delay and in any event must be lodged before the prize giving. The ruling of the Judges or Jury of Appeal, as applicable, will be final.*

9.9.1.13 *Control that competitors and officials conform with the FITA Constitution and Rules as well as decisions and directives the Judges may find necessary to make. A competitor proved to have transgressed any rules and regulations knowingly may be ruled not to be eligible to participate and be eliminated and will lose any position he may have gained.*

9.10 QUESTIONS AND DISPUTES

9.10.1 In the discipline of Field Archery, any competitor on the target will refer any questions about the value of an arrow in the target to a Judge before the arrows are drawn.

9.10.1.1 *The ruling of that Judge will be final, except in the Finals Round. In the Finals Round, should any competitor on the target be dissatisfied with the Judge's ruling, the majority decision of that Judge and not more than the two nearest available Judges will be final.*

9.10.1.2 *A mistake on a scorecard may be corrected before the arrows are drawn, provided that all the competitors on the target agree on the correction. The correction must be witnessed and initialed by all the competitors on the target. Any other disputes concerning entries on a scorecard must be referred to a Judge.*

9.10.1.3 *Should it be discovered :*

- *that the size of a target face has been changed during the competition,*
- *the position of a shooting peg has been moved after competing competitors have already shot the target,*
- *the target is or has become unshootable for certain competitors because of hanging branches etc.*

that target will be eliminated for the purpose of score for all competitors of the division involved, should an appeal be upheld. If one or more target(s) is disqualified, the remaining number of targets will be considered a full Round.

9.10.1.4 *Should range equipment be defective or a target face become unreasonably worn or otherwise damaged, a competitor or his Team Captain may appeal to the Judges to have the defective item replaced or remedied.*

9.10.2 Questions concerning the conduct of the shooting or the conduct of a competitor must be lodged with the Judges before the next stage of the competition.

9.10.2.1 *Questions regarding the daily published results must be lodged with the Judges without any undue delay, and in any event must be lodged in time to allow corrections to be made before the prize giving.*

9.11 APPEALS

9.11.1 In the event of a competitor not being satisfied with a ruling given by the Judges, he may, except as provided for in article 9.10.1 above, appeal to the Jury of Appeal according to article 3.13. Trophies or prizes which may be affected by a dispute will not be awarded until the Jury ruling has been given.

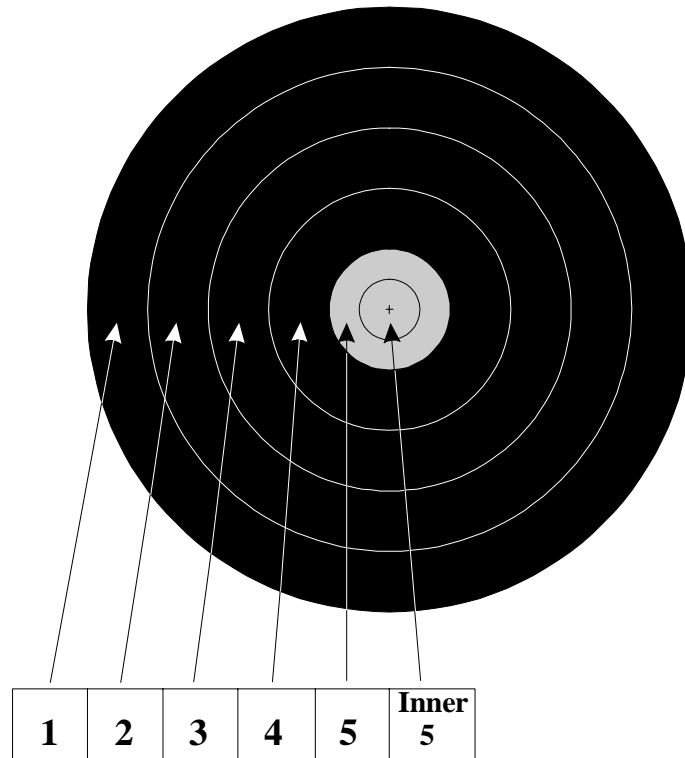
BOOK 4

FITA CONSTITUTION AND RULES

APPENDIX 1 BOOK 4

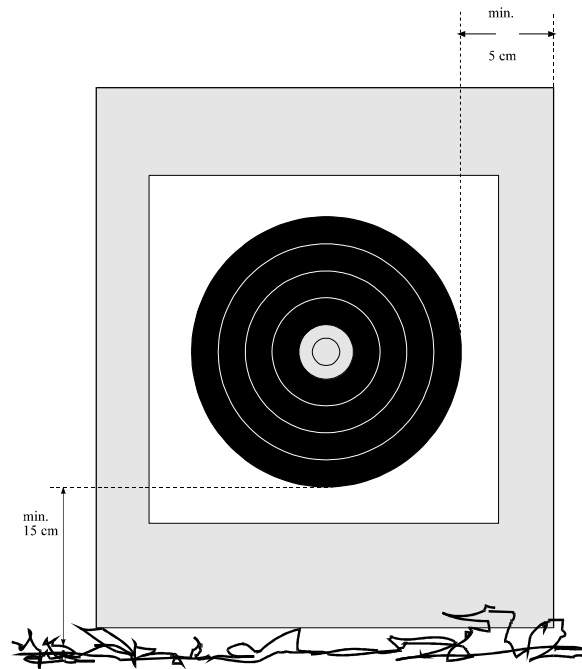
VENUE EQUIPMENT – Target Faces

1. THE FITA FIELD FACE
article 9.2.1

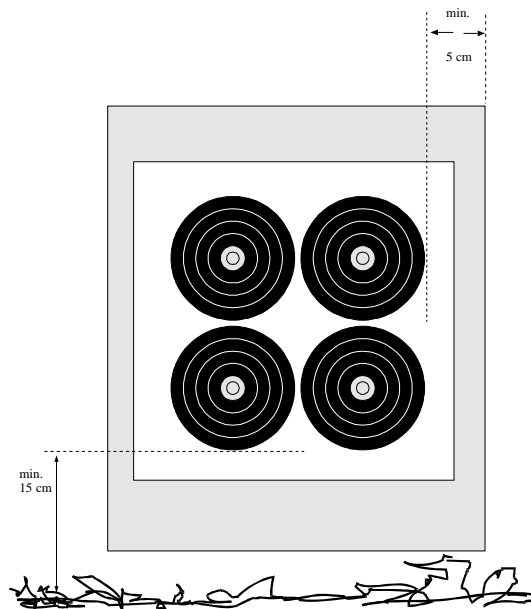


2. FIELD FACES

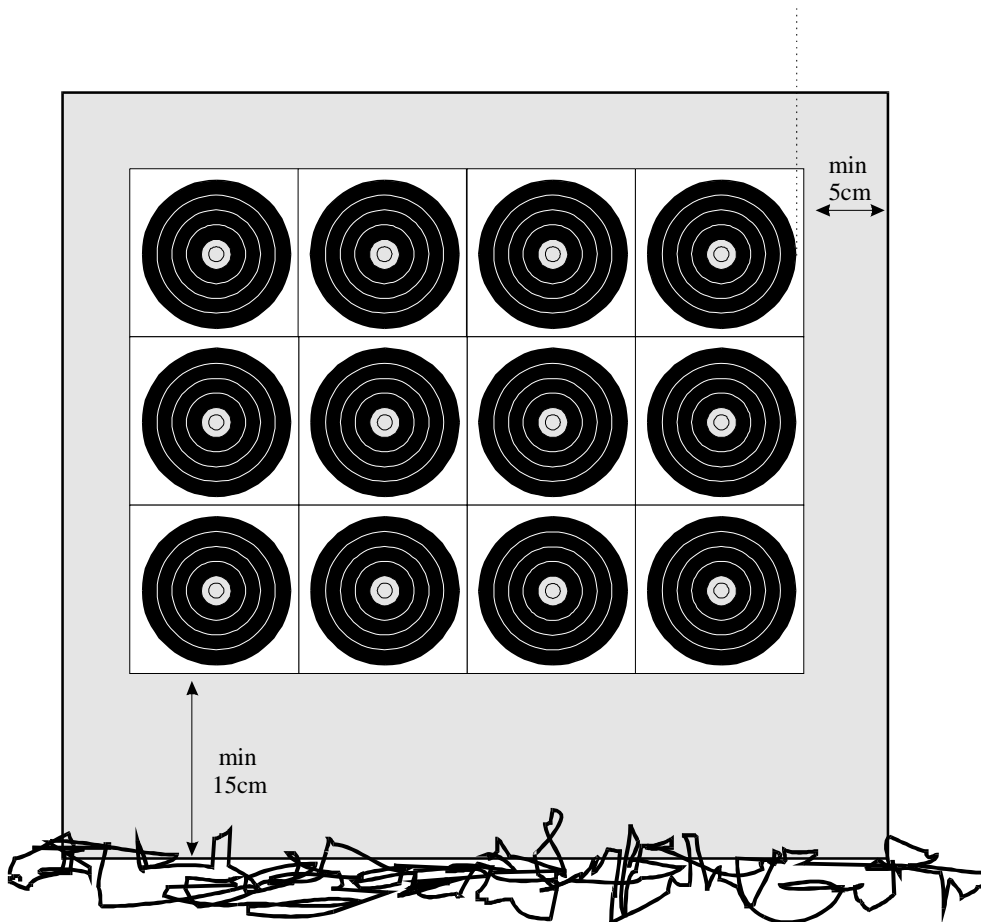
80 and 60 cm faces - article 9.1.1.9
correct set-up
see article 9.1.1.7 for two 60cm faces



40 cm faces - article 9.1.1.7
correct set-up



20cm faces - Article 9.1.1.7
correct set-up



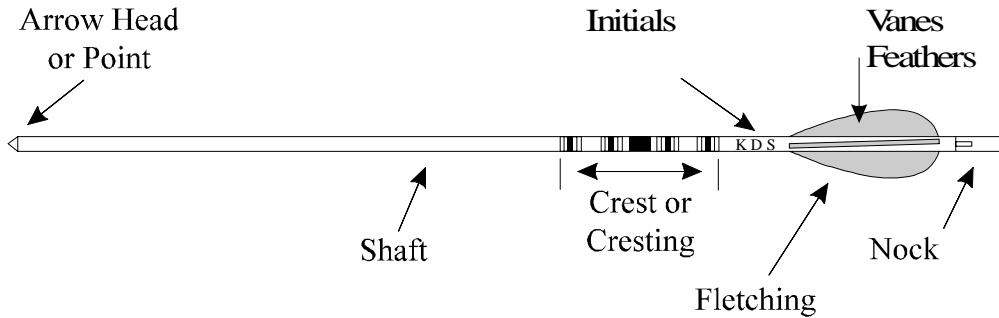
BOOK 4

FITA CONSTITUTION AND RULES

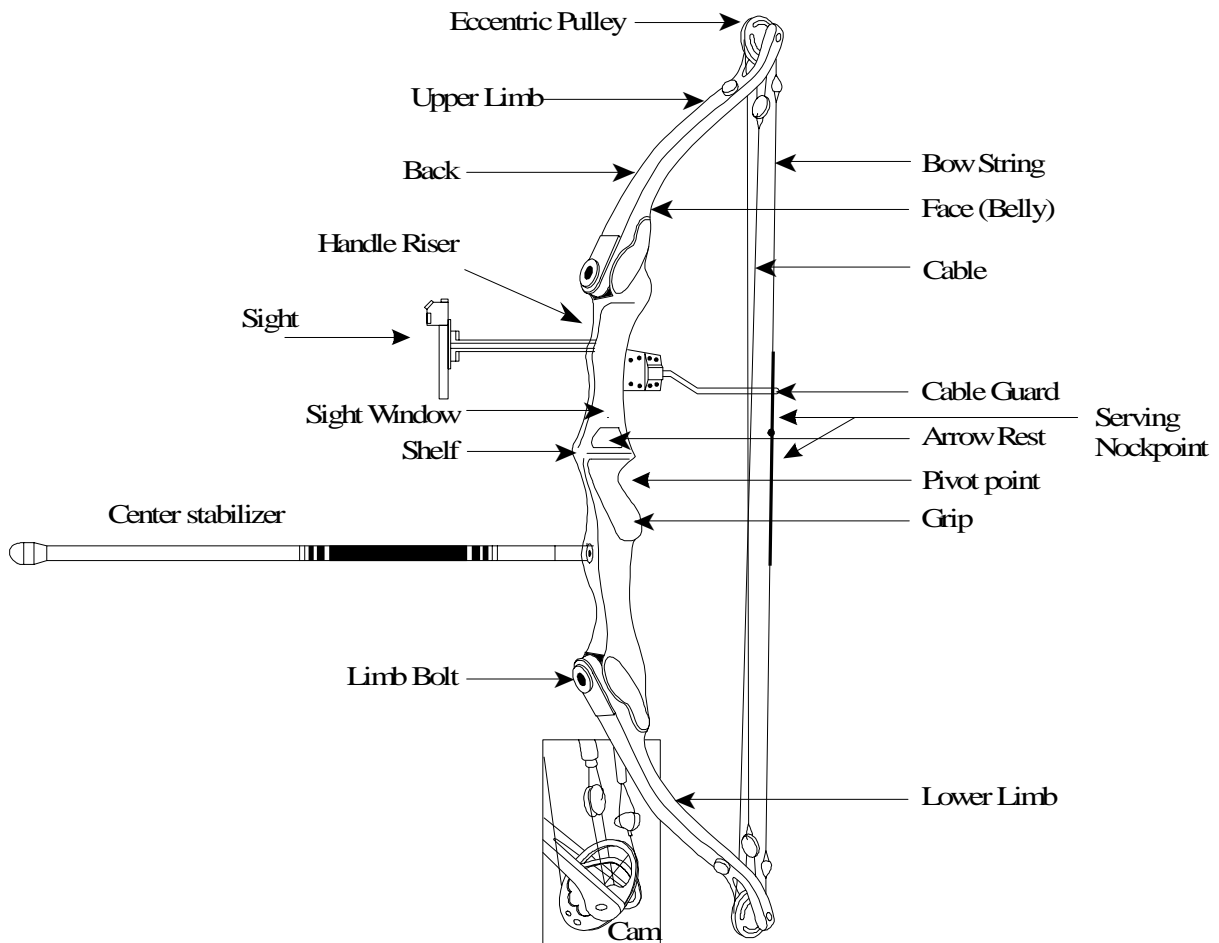
APPENDIX 2 BOOK 4

COMPETITORS' EQUIPMENT

1. ARROW
article 9.3.7



2. COMPOUND BOW
Article 9.3.1.3 - 9.3.10.2



3. RECURVE BOW
article 9.3.1

