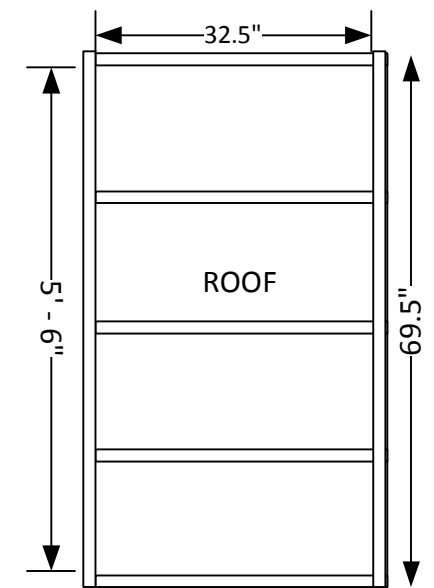
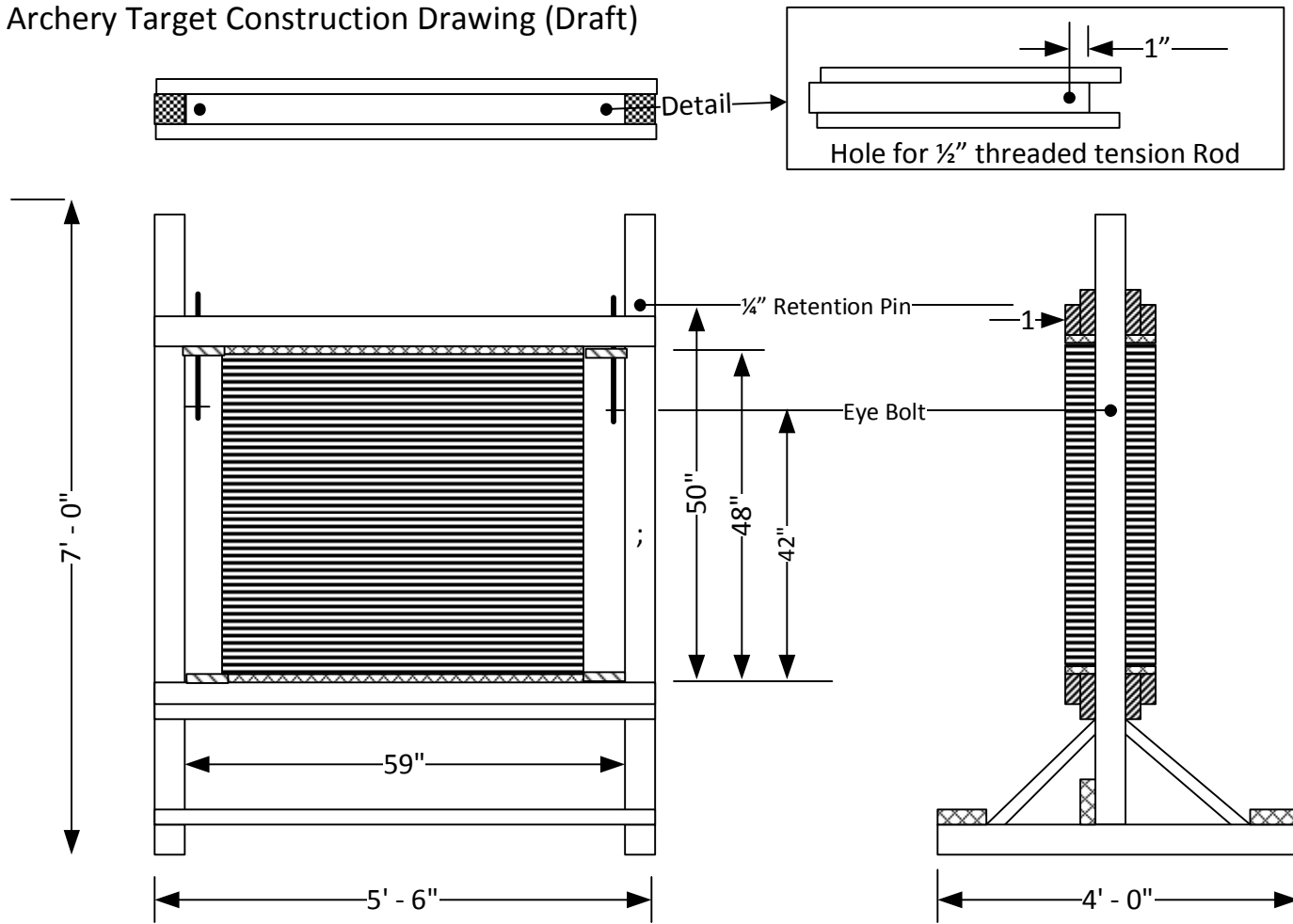


# Archery Target Construction Drawing (Draft)



## Note 1:

- 3ea 8" CB for 2x6s thru 4 x 4 top
- 2ea. 5" CB for 2x4 to 2x6 Bottom
- 2ea. 3.5" Lag Screws Top 2 x 4 to 2 x 6
- 2ea. 6" Lag Screw Top 2 x 4 to 2 x 6 and 4 x 4

- 12 Sheets of 4 x 8 x 1/2" Roof Insulation
- Cut 12" X 48"
- 1ea. 1/2" x 36" Rod
- 1ea. 1/4" - Retention rod

- 1ea. 1 x 6 x 8' board for top & bottom cross member.
- 1ea. 2 x 6 x 12' PT Pine for top cross member
- 2ea. 2 x 4 x 12' PT Roof Frame
- 1ea. 2 x 4 x 10' PT Roof Frame cross member

Draft