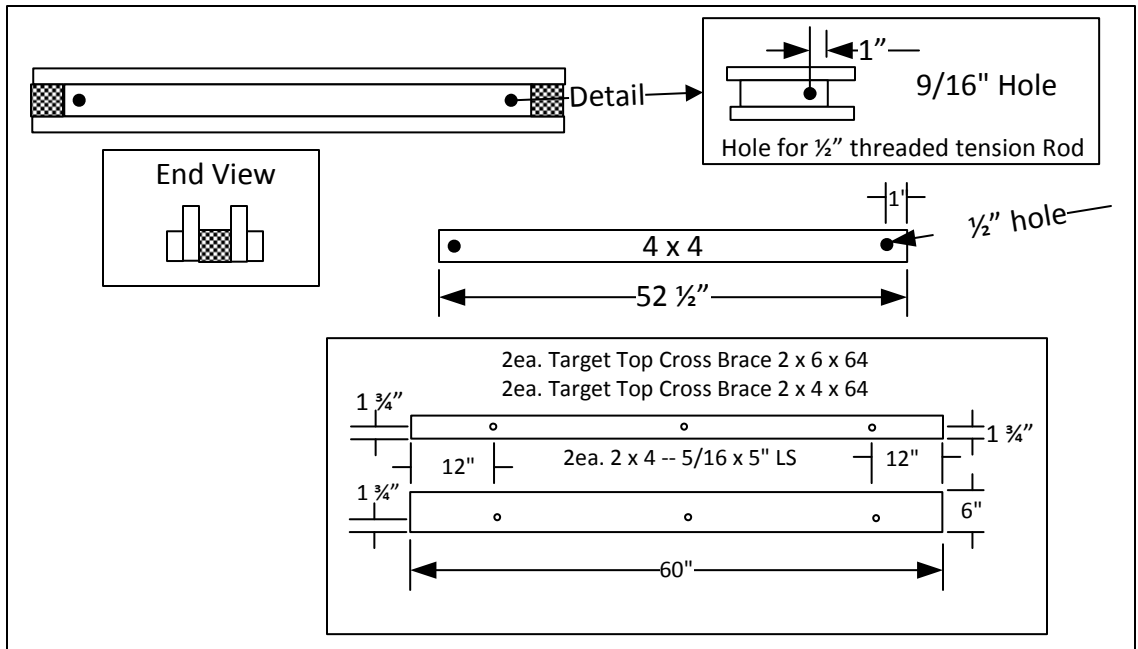
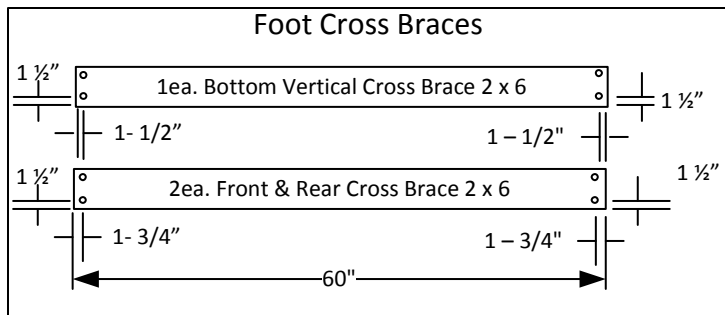
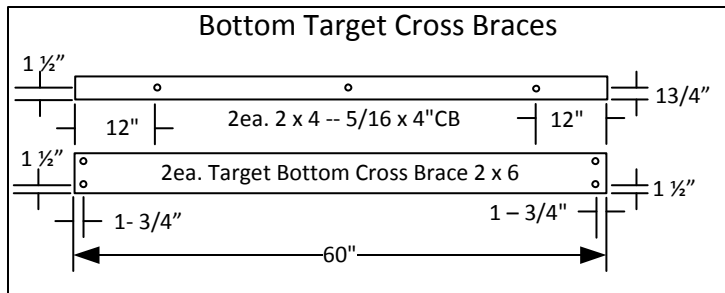
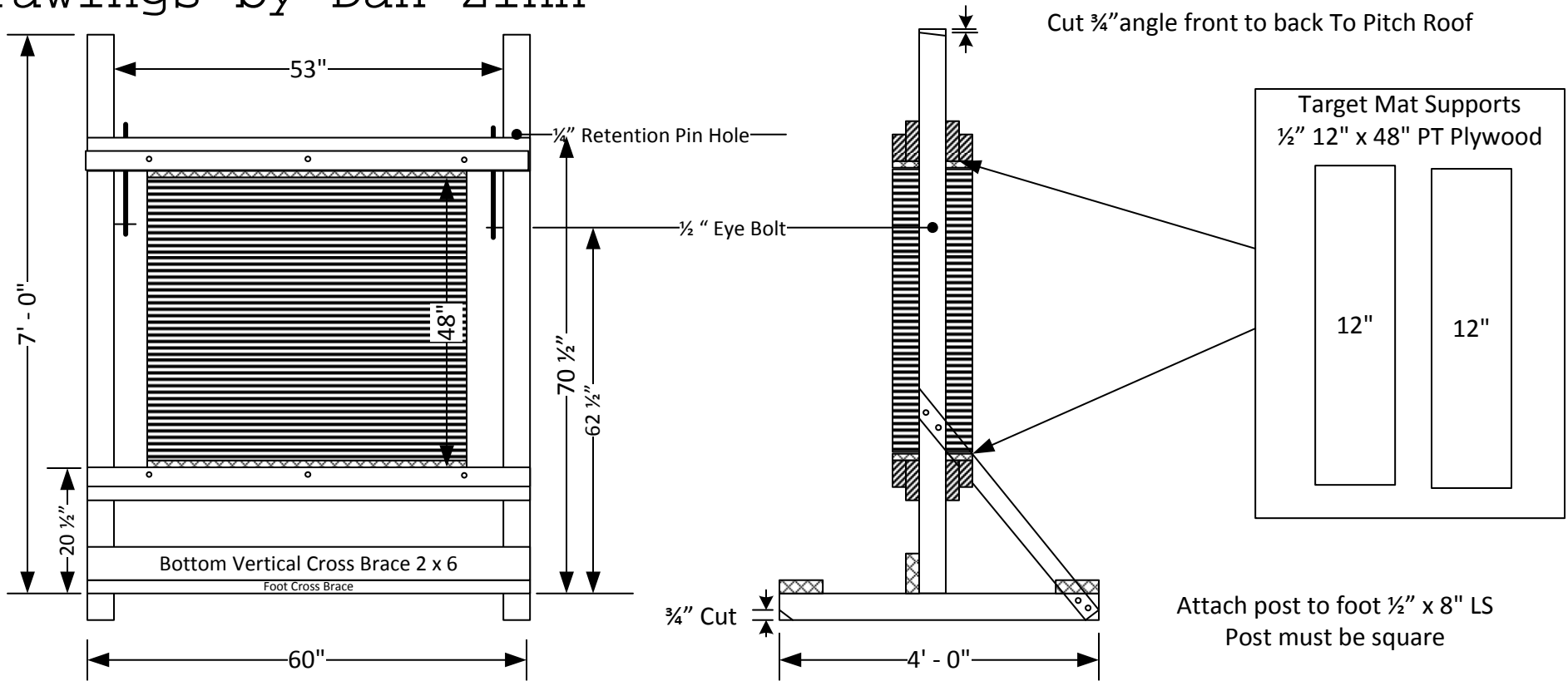

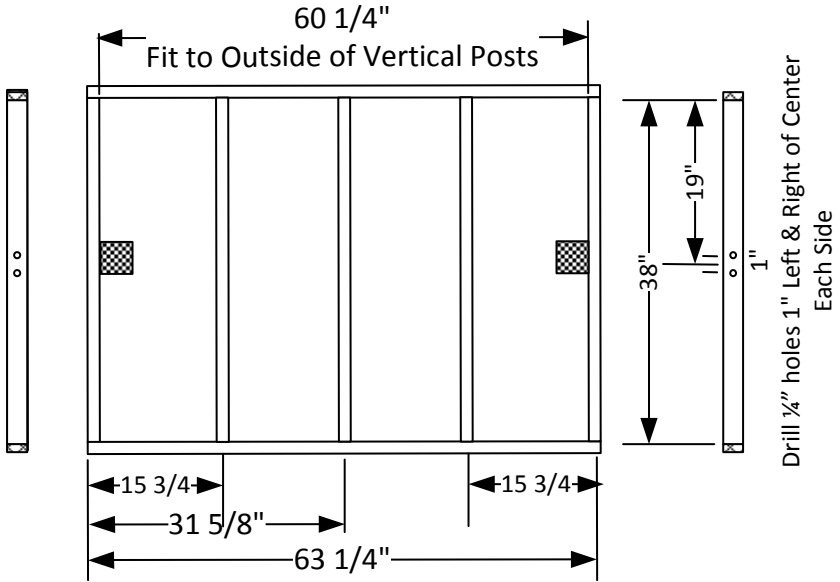
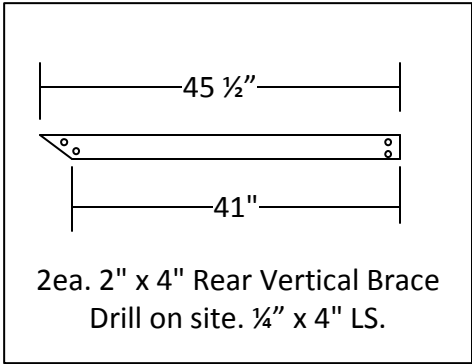


# Drawings by Dan Zinn



**Roof Detail** 

Install Corrugated panels with approx.  
2" overhang front and rear.  
Install Rear Panel first.



- Assembly Tools:**
- 1/4" Socket Metal Roof Screws
  - 3/4" Socket – 1/2" Hardware
  - 7/16" Socket 3/8" Hardware
  - 7/16" Wrench 3/8" Hardware
  - 3/4" Wrench Target Tension Nuts
  - Mallet
  - Hack saw
  - 2ea 6'+ Ladders Roof Installation
  - 3/16", 1/4", 3/8" drill bits.
  - 1/2", 9/16", 1 3/8" Wood Drill bits

- Cut List:**
- 5ea 2" x 4" x 38" PT Studs
  - 2ea. 2" x 4" x 63 1/4" PT Headers
  - Attach with 3 1/2" Deck Screws

## Archery Target Bill of Materials

QTY	Size	Length	Cut	Description	\$ Each	Sub-total
4	4" x 4"	8' - 0"	2 @ 7' -0"	Vertical Posts	\$9.17	\$36.68
	4" x 4"	8' - 0"	2 @ (48")	Feet	\$9.17	\$0.00
	4" x 4"	8' - 0"	1 @ (52 1/2")	Top Inside Target Cross Beam	\$9.70	\$0.00
4	2" x 6"	10' - 0"	7@ (60")	Top & Bottom Target Cross Beams	\$7.67	\$30.68
2	2" x 4"	10' - 0"	4 @ (60")	Top & Bottom Target Cross Beams	\$4.97	\$9.94
1	2" x 4"	12' - 0"	2 @ (63 1/4")	Roof Front Rear Headers	\$5.97	\$5.97
4	2" x 4"	8' - 0"	5 @ (38")	Roof Cross Joists	\$4.17	\$16.68
	2" x 4"	8' - 0"	2 @ 45 1/2"	Rear Vertical Braces (See Drawing)	\$4.17	\$0.00
2	2' x 6'			Corrugated Galv Steel Roofing	\$6.40	\$12.80
1		Simpson Strong Tie		LSTA12 Makes two eyebolt washers	\$0.84	\$0.84
12	4' x 8' x 1/2		12" x 48"	Fiber Sound Board For Target Face	\$10.80	\$129.60
Hardware						
2	1/2 x 4"	Eye Bolt		See Drawing	\$2.41	\$4.82
2	1/2 x 8"	Lag Screw		Vertical Post Screw	\$1.63	\$3.26
6	3/8 x 5"	Lag Screw		Top Cross Beam (2 x 4, 2 x 6, 4 x 4)	\$0.68	\$4.08
4	3/8" x 7"	Carrage Bolt		Bottom 2 x 6 thru 4 x 4 vertical post	\$1.46	\$5.84
6	3/8 x 4"	Carrage Bolt		Bottom 2 x 4 to 2 x 6 front and rear	\$0.61	\$3.66
12	3/8" x 4"	Lag Screw	BHM	Foot	\$0.63	\$7.56
1	1/2 x 36"	Threaded Rod	18"	Tension Rods (Cut 36" Rod)	\$3.57	\$3.57
1	1/4 x 24"	Rod	2 @ (12")	Retention Rod	\$3.47	\$3.47
2	1/2" x 2 1/2"	Pipe	Galv Nipple	Top Cross Beam Spacer	\$1.44	\$2.88
12	1/4 x 4"	Lag Screw		Foot 2 x 4 Support Braces	\$0.38	\$4.56
12	1/4"	Washers		Foot 2 x 4 Support Braces	\$0.11	\$1.32
14	1/2"	Washers		Tension Rod, Eye Bolt, Vert. Post	\$0.20	\$2.80
4	3/4 x 2"	Washers		Tension Rod washers	\$0.35	\$1.40
28	3/8"	Washers		3/8" Lag Screw/ Carrage Bolts	\$0.14	\$3.92
4	1/2"	Nuts		1/2" tension Rod	\$0.20	\$0.80
10	3/8"	Nuts		3/8" CC Washers	\$0.12	\$1.20
20	1 1/2"	Roof Screws		Metal Roof Screws	\$0.10	\$2.00
20	3 1/2"	Deck Screws		Roof Joists (53)	\$0.16	\$3.20
12	1 1/2"	Deck Screws		Target Mat Supports (148)	\$0.06	\$0.72
				<b>Estimated Total Cost</b>		<b>\$304.25</b>

	1 1/2"	Roof Screws		Metal Roof Screws (100 per box)	\$9.73	\$0.10 ea.
	3 1/2"	Deck Screws		Roof Joists (53 per box)	\$8.47	\$0.16 ea.
	1 1/2"	Deck Screws		Target Mat Supports (148 per box)	\$8.47	\$0.06 ea.

\* Material Pricing was done at HomeDepot.