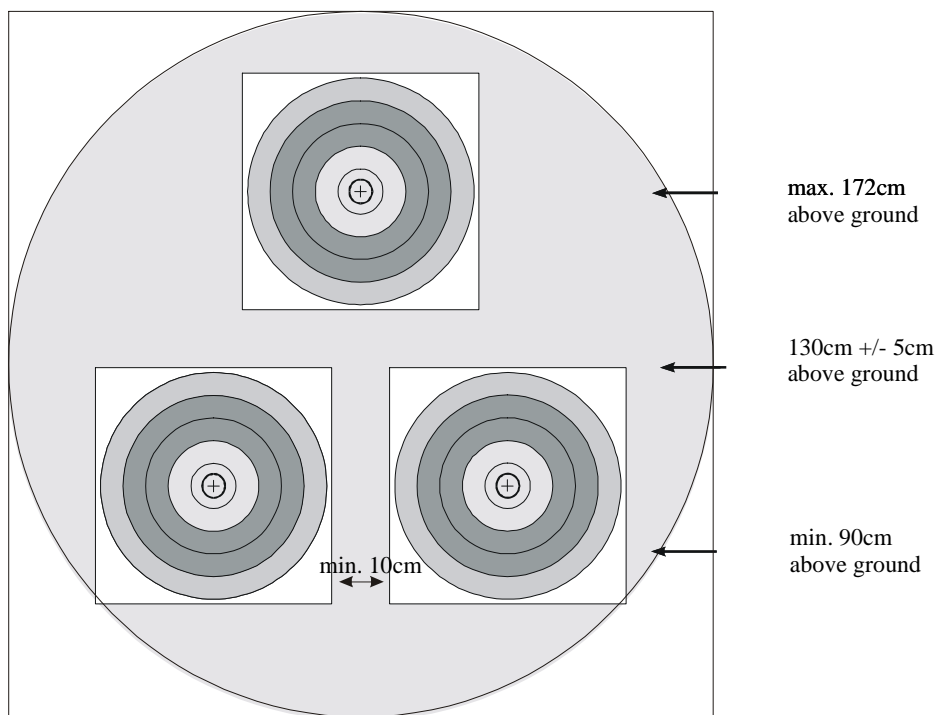
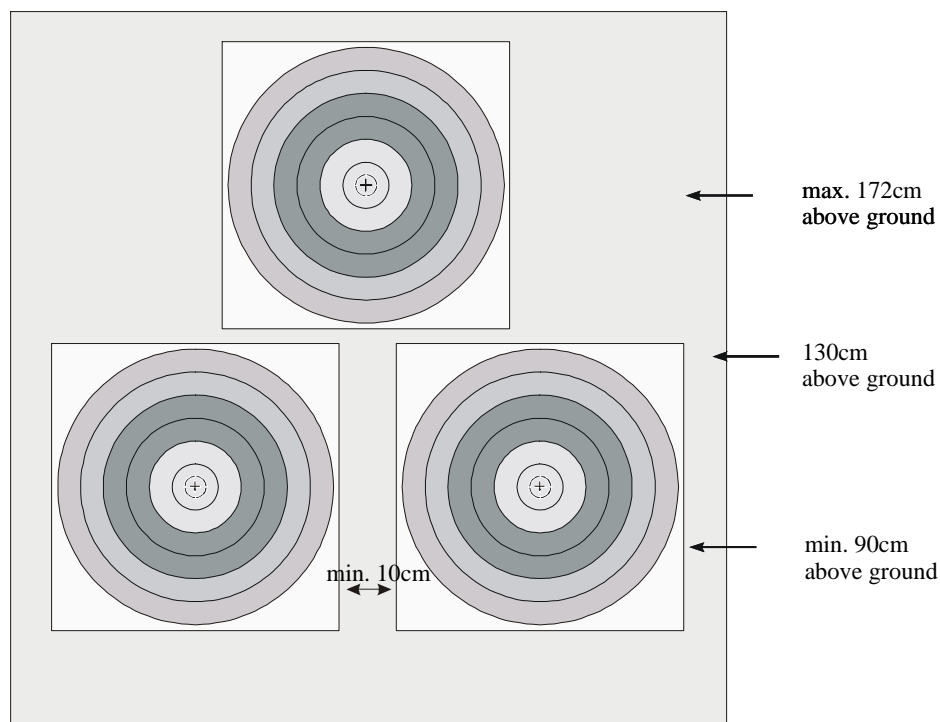


3. OUTDOOR - 80CM-CENTRE MULTIPLE FACE SET-UP

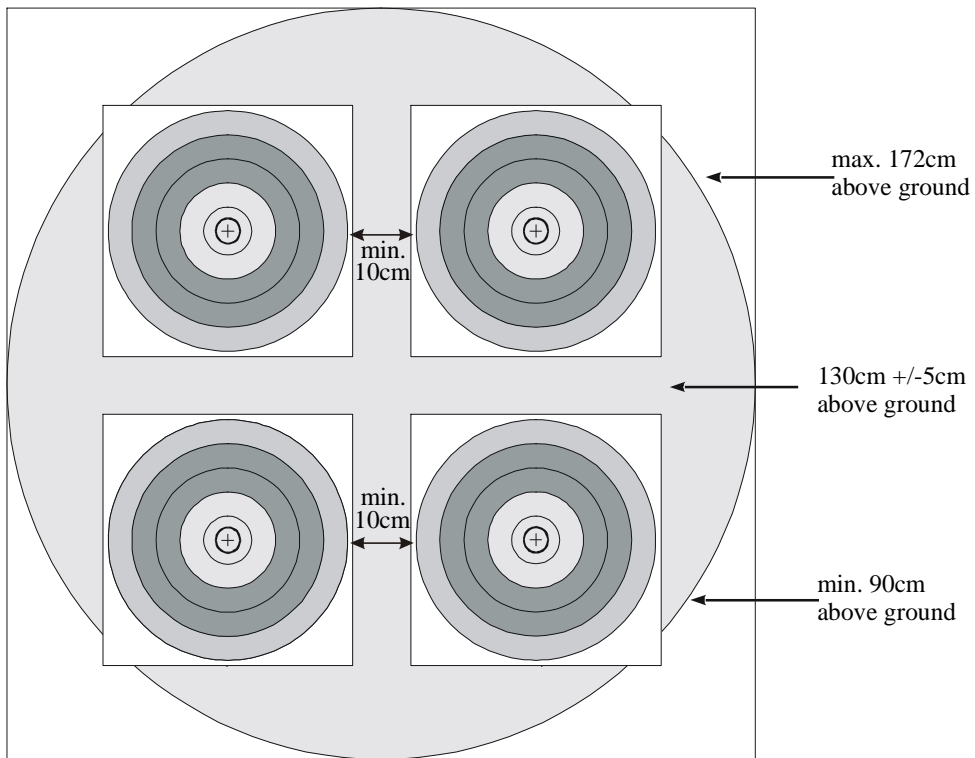
Articles 7.2.1 and 7.2.2



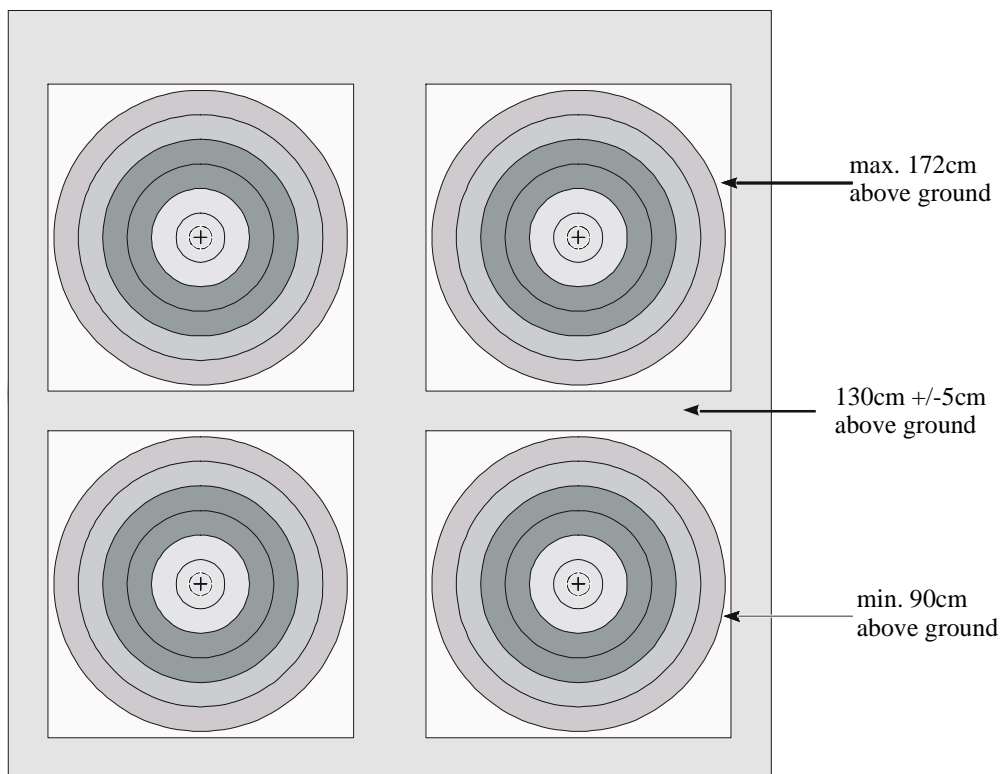
3 x 80cm 5-ring faces with scoring zones 6-10



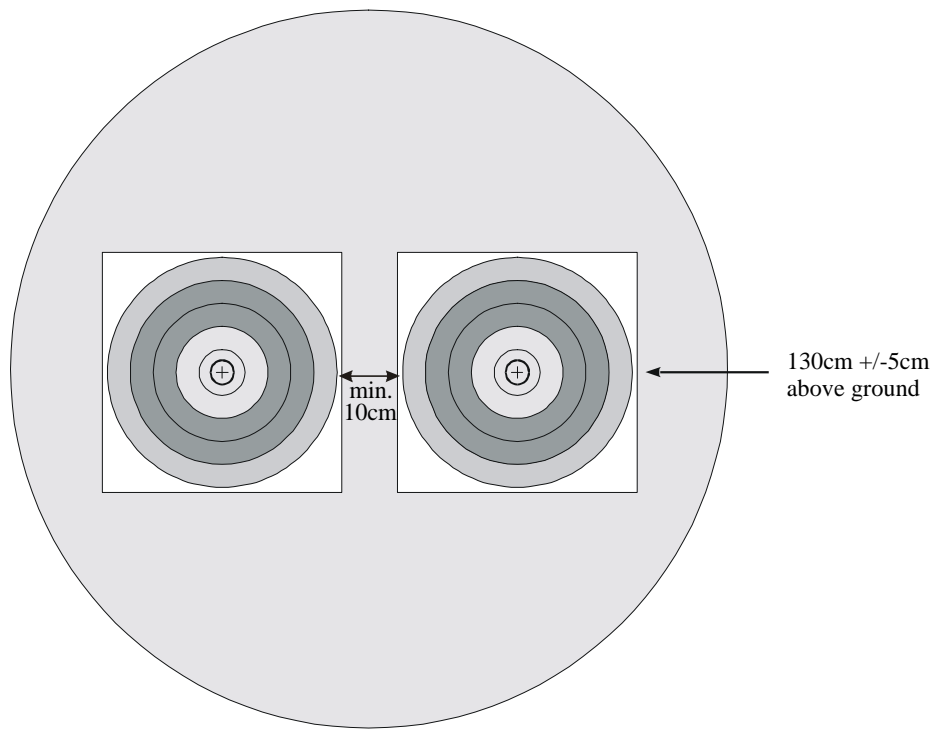
3 x 80 cm 6-ring faces with the scoringzones 5-10



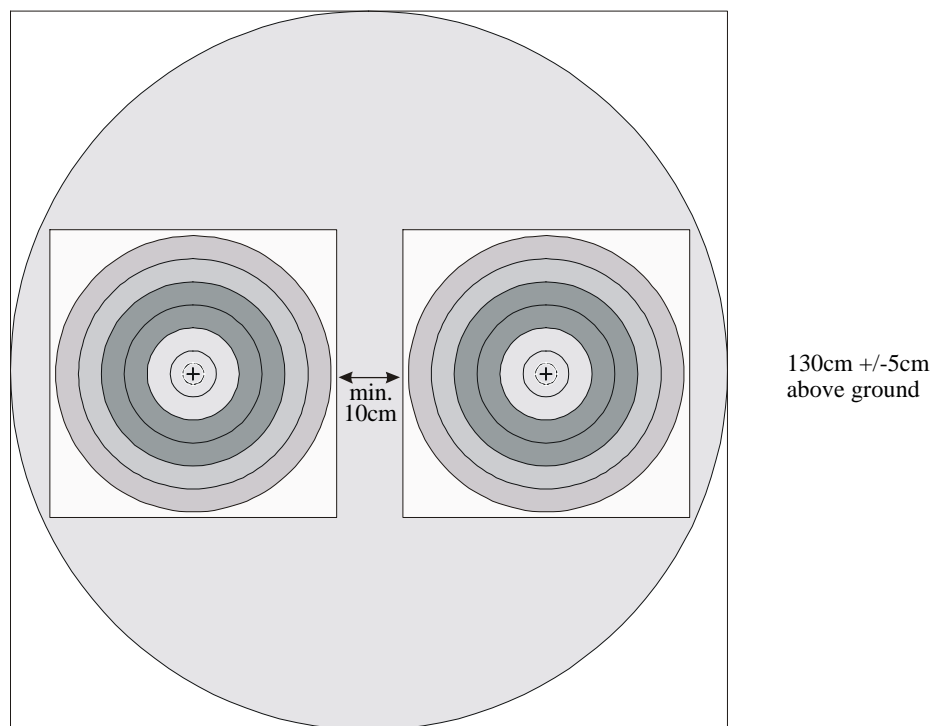
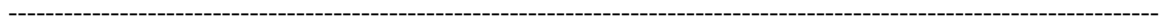
4 x 80cm 5-ring faces with the scoring zones 6-10



4 x 80cm 6-ring faces with the scoring zones 5-10



2 x 80 cm 5-ring faces with the scoring zones 6-10



2 x 80cm 6-ring faces with the scoring zones 5-10